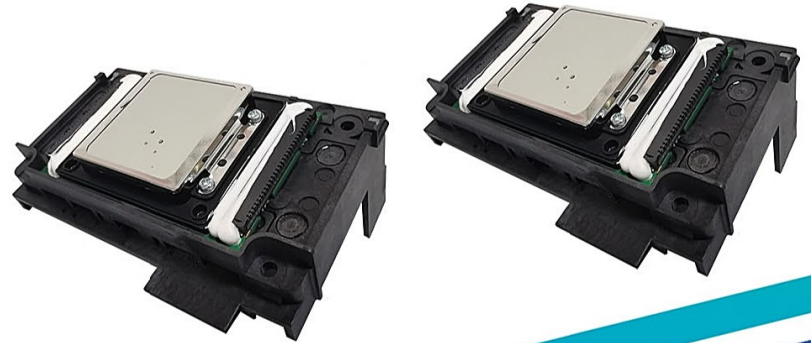


DTF Manufacturing Expert, Customizer Of Printing Solutions



F1080×2



U302

UV DTF PRINTER

DETAIL DISPLAY



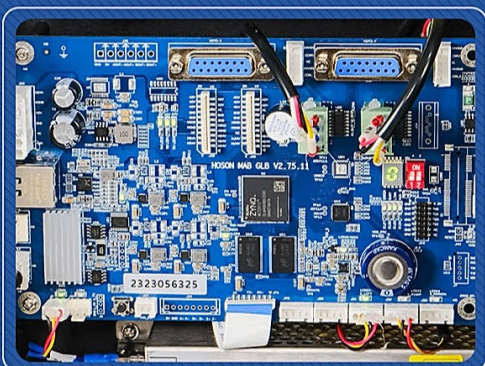
Touch Screen



Intelligent paper feeding system



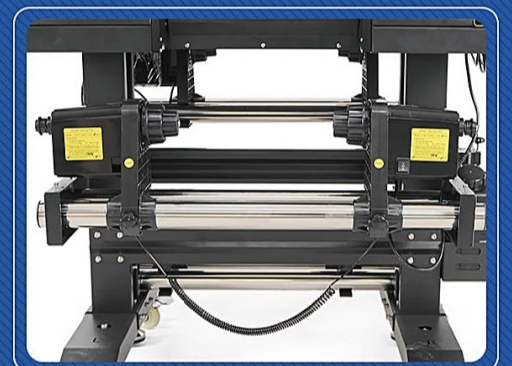
Ink shortage alarm function



HOSON



Printing and laminating all in one



Dual power paper receiving



High definition printing



Low noise

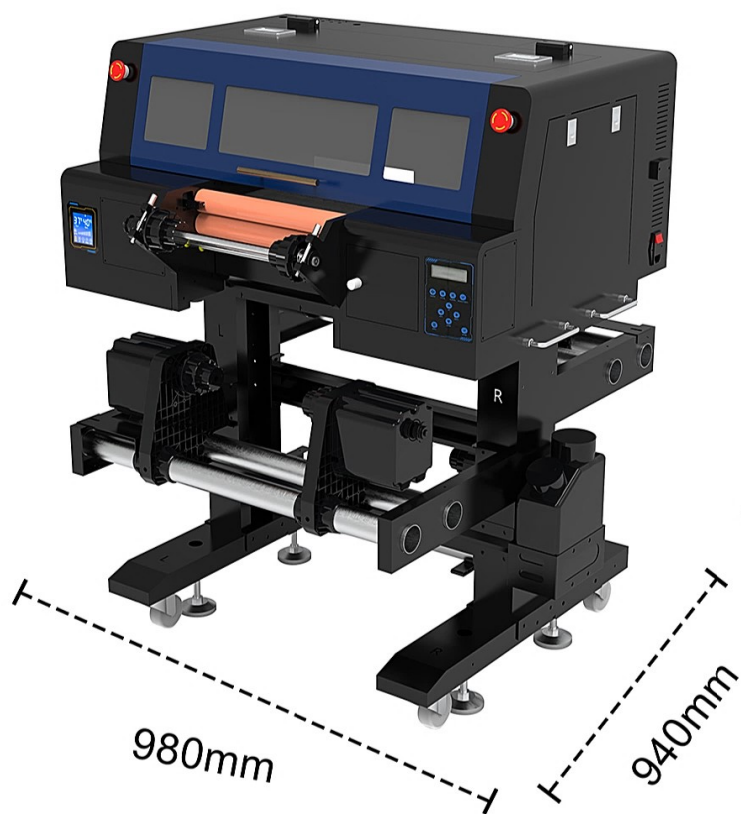


Good quality



Widely used

PRODUCT SIZE AND APPLICATION



UV DTF printer U302 product parameters

Print head	F1080×2
Print width	≤300mm
Color	CMYK+white ink+varnish
Applicable Meda	UV dtf ab film
Printing speed	8pass 1.5m ² /h
Ink type	UV ink
Ink supply system	500ml ink bottle+white ink circulation+stirring
Rip Software	Flexi
Operating system	Win7、 Win10
Ink drying	Curing of air-cooled UV lamp
Platform suction	Adjustable
Print Interface	Network interface
Winding function	Automatic inductive winding
Temperature and humidity	15 - 30°C 35-65%
Electrical parameters	220V 800W 3.6A
Size & weight	Machine: 980*940*1224mm Package: 1450*900*711mm N.W 145KG G.W 185KG