

DTF Manufacturing Expert, Customizer Of Printing Solutions



i3200-U1×3



U603

NEW UV PRINTER

DETAIL DISPLAY



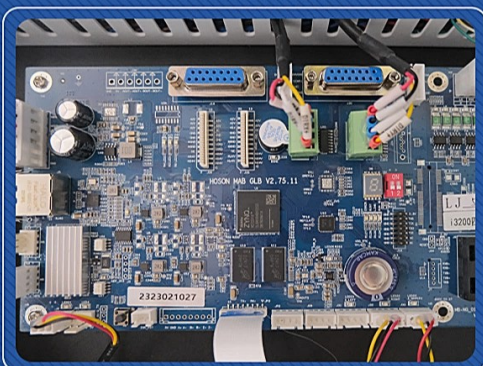
Touch Screen



Intelligent paper feeding system



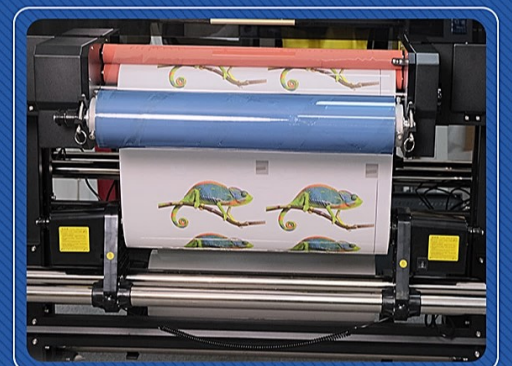
Ink shortage alarm function



HOSON



Printing and laminating all in one



Dual power intelligent winding



High definition printing



Low noise



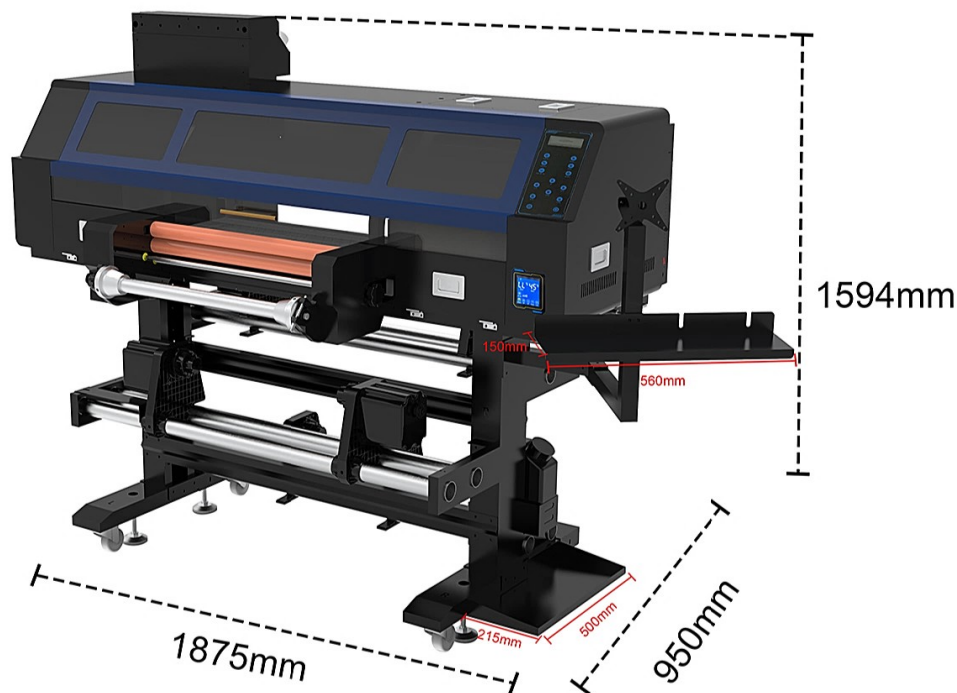
Good quality



Widely used

DTF Manufacturing Expert, Customizer Of Printing Solutions

PRODUCT SIZE AND APPLICATION



UV DTF printer U603 product parameters

Print head	Epson-i3200-U1×3	
Print width	≤600mm	
Color	CMYK+white ink+Varnish	
Applicable Meda	UV dtf ab film	
Printing speed	6pass 6m ² /h 8pass 5m ² /h	
Ink type	UV ink	
Ink supply system	1L ink bottle+white ink circulation+stirring	
Rip Software	Maintop/PhotoPrint	
Operating system	Win7、 Win10	
Ink drying	Water cooling (water circulation)	
Platform suction	Adjustable	
Print Interface	Network interface	
Winding function	Automatic inductive winding	
Temperature and humidity	15 - 30°C 35-65%	
Electrical parameters	220V 1900W 8.6A	
Size & weight	Machine: 1875*950*1594mm Package: 2000*1140*846mm	N.W 245KG G.W 305KG